



# Catalogue



**Life's Good.**



# Index

## TABLE OF CONTENTS

### REFRIGERATORS

InstaView  
Side by Side  
Top Freezer  
Bottom Freezer  
Single Door  
Upright Fridge  
Upright Freezer

### WASHING MACHINES

WashTower  
Front Load Washer Dryers  
Front Load Washer  
Top Load Washer  
TwinTubs  
Commercial Laundry

### DISHWASHERS

### MICROWAVES

Grill Combo  
Solo

### BUILT-IN

Instaview  
Oven  
Microwave  
Hood  
CookTop



## TV

OLED  
QNED  
NanoCell  
UHD  
FHD

## AV

Home Theatre Sound Bars  
Soundbar  
Bluetooth Speakers  
DVD Home Theatre  
Hi-Fi Audio Systems

## RAC

Dual Cool  
JetCool  
Air Tower





# Exclusive World of REFRIGERATORS



## DESIGNED TO CHILL, BUILT TO IMPRESS



LG Refrigerators go beyond just storing food, they preserve freshness, optimize energy use, and complement modern kitchens.

Whether you're stocking up for the week or prepping for a party, our smart cooling systems and innovative features keep your ingredients at peak condition longer.

## InstaView Refrigerators



### GC-X267MSEW

635 ℓ Color: Noble Steel  
Mirror InstaView™

**Convenience**  
New dispenser  
ThinQ™

Utility box  
Ice & Water Dispenser (Non-Plumbing)  
Wi-Fi

**Freshness**  
DoorCooling+  
LINEAR Cooling  
Multi Air Flow  
UVnano  
Hygiene Fresh+  
Fresh Balancer

**Design**  
Flat Door  
Flat Duct  
Metal Fresh (Metal Duct)

**Energy & Durability**  
Smart Inverter Compressor  
10 Yr Compressor Warranty



### GC-X257CQES

635 ℓ Color: Matte Black  
InstaView™

**Convenience**  
New dispenser  
ThinQ™

Utility box  
Ice & Water Dispenser (Non-Plumbing)  
Wi-Fi

**Freshness**  
DoorCooling+  
LINEAR Cooling  
Multi Air Flow  
UVnano  
Hygiene Fresh+  
Fresh Balancer

**Design**  
Flat Door  
Flat Duct  
Metal Fresh (Metal Duct)

**Energy & Durability**  
Smart Inverter Compressor  
10 yr Compressor Warranty



### GC-V459SSKW

349ℓ Color: Essence Black Steel  
InstaView™

**Convenience**  
ThinQ™  
Reversible Door  
Big Freezing Zone  
InstaView  
Zero Clearance

**Freshness**  
LINEAR Cooling™  
Door Cooling+  
Fresh Converter

**Design**  
Soft LED Lighting  
Seamless InstaView™  
Big Freezer Box  
Metal Decor: Drawer  
Easy Grab in Freezer Drawer

**Energy & Durability**  
Smart Inverter Compressor  
10yr Compressor Warranty

## Side by Side Refrigerators



### GC-J257SQRS

635ℓ Color: Matte Black  
UVnano™

**Convenience**  
Ice and Water  
ThinQ™  
Door-in-Door

**Freshness**  
DoorCooling+  
LINEAR Cooling  
Multi Air Flow  
UVnano

**Design**  
Flat Door  
Flat Duct  
Pocket Handle  
Touch Water Dispenser

**Energy & Durability**  
Smart Inverter Compressor  
10 yr Compressor Warranty



### GC-L257KLKW

641 ℓ Color: Prime Silver

**Convenience**  
LED Lighting  
Ice & Water Dispenser

**Freshness**  
LINEAR Cooling  
Multi Air Flow  
Total No Frost

**Design**  
Pocket Handle (long type)  
Flat Door Design  
New Dispenser

**Energy & Durability**  
Inverter Compressor  
10 yr Compressor Warranty



### GC-B257KQJW

664 ℓ Color: Essence Graphite

**Convenience**  
LED Lighting  
Smart Diagnosis

**Freshness**  
LINEAR Cooling  
Multi Air Flow  
Total No Frost

**Design**  
Big Capacity  
Flat Door Design

**Energy & Durability**  
Inverter Compressor  
10 yr Compressor Warranty



## GCFB507PQAM

519 l Color: Silver

### Convenience

Display(Controller) LED Button  
External Front Display

### Freshness

Multi Air Flow  
Total No Frost

### Design

Pocket Handle

### Energy & Durability

Energy Class 2 star  
Inverter Compressor

## Top Freezer Refrigerator



## GN-C702SGGU

506l Color: Black Glass

### Convenience

Moving Ice maker  
ThinQ™

### Freshness

Door Cooling+  
LINEAR Cooling™  
Multi Air Flow  
Moist Balance Crisper  
Fresh 0 Zone

### Design

LED Panel Lighting  
Trimless Tempered Glass Shelf  
Curved Glass

### Energy & Durability

Smart Inverter Compressor  
10 yr Compressor Warranty



## GN-F702HLHU

509l Color: Platinum Silver

### Convenience

Moving Ice Maker  
ThinQ™  
Slim Water Dispenser (Non-plumbing)

### Freshness

Hygiene Fresh+  
Multi Air Flow  
Fresh 0 Zone  
LINEAR Cooling™  
Door Cooling

### Design

Touch LED Display  
LED Panel Lighting  
Trimless Tempered Glass Shelf

### Energy & Durability

Smart Inverter Compressor  
10 yr Compressor Warranty



## GL-B452PPFQ

461l Color: Black

### Convenience

Moving Ice Maker  
Moving & Twist Ice Maker

### Freshness

LINEAR Cooling™  
Door Cooling+  
Fresh 0 Zone

### Design

Flat Door  
Pocket Handle  
LED Panel Lighting

### Energy & Durability

Smart Inverter Compressor  
10 yr Compressor Warranty



## Top Freezer Refrigerator



### GL-T652HLCM

438ℓ Color: Platinum Silver

#### Convenience

Slim Water Dispenser(Non-plumbing)  
Smart Diagnosis  
Pull Out Tray  
Twist Ice Tray

#### Freshness

Multi Air Flow  
LINEAR Cooling™  
Door Cooling+

#### Design

Soft LED Lighting  
Bar Handle

#### Energy & Durability

Smart Inverter Compressor  
10yr Compressor Warranty  
Less Noise



### GN-C652HLCM

438ℓ Color: Platinum Silver

#### Convenience

Twist Ice Tray  
Pull Out Tray  
Smart Diagnosis

#### Freshness

Multi Air Flow  
LINEAR Cooling™  
Door Cooling

#### Design

Soft LED Lighting  
Bar Handle

#### Energy & Durability

Smart Inverter Compressor  
10yr Compressor Warranty



### GL-B492PXGB

395ℓ Color: Black

#### Convenience

Pull Out Tray  
Moving Ice Tray  
Smart Diagnosis

#### Freshness

LINEAR Cooling™  
Door Cooling+  
Multi Air Flow

#### Design

Pocket Handle  
Soft LED Lighting

#### Energy & Durability

Smart Inverter Compressor  
10yr Compressor Warranty



### GL-B492PLGB

395ℓ Color: Platinum Silver

#### Convenience

Pull Out Tray  
Moving Ice Tray  
Smart Diagnosis

#### Freshness

LINEAR Cooling™  
Door Cooling+  
Multi Air Flow

#### Design

Pocket Handle  
Soft LED Lighting

#### Energy & Durability

Smart Inverter Compressor  
10yr Compressor Warranty



### GN-B472PLMB

375ℓ Color: Platinum Silver

#### Convenience

Pull out Tray  
Moving Ice Tray  
Smart Diagnosis

#### Freshness

LINEAR Cooling™  
Multi Air Flow  
Door Cooling+

#### Design

Pocket Handle  
Soft LED Lighting

#### Energy & Durability

Smart Inverter Compressor  
10yr Compressor Warranty



### GN-B312PLGB

315ℓ Color: Platinum Silver

#### Convenience

Pull out Tray  
Moving Ice Tray  
Smart Diagnosis

#### Freshness

LINEAR Cooling™  
Door Cooling+  
Multi Air Flow

#### Design

Pocket Handle  
Soft LED Lighting

#### Energy & Durability

Smart Inverter Compressor  
10yr Compressor Warranty

## Top Freezer Refrigerator



### GN-B312PXGB

315ℓ Color: Black

#### Convenience

Pull Out Tray  
Twist Ice Tray  
Smart Diagnosis

#### Freshness

LINEAR Cooling™  
Door Cooling+  
Multi Air Flow

#### Design

Pocket Handle  
Soft LED Lighting  
Tempered Glass Shelf

#### Energy & Durability

Smart Inverter Compressor  
10yr Compressor Warranty



### GL-G362SLBB

286ℓ Color: Platinum Silver

#### Convenience

Big Vegetable Box  
Smart Diagnosis  
Twist Ice Tray

#### Freshness

Moist Balance Crisper  
Multi Air Flow  
DoorCooling+  
LINEAR Cooling

#### Design

Bar Handle  
Tempered Glass Shelf  
Soft LED Lighting

#### Energy & Durability

Smart Inverter Compressor  
10yr Compressor Warranty



### GN-B262BFSF

266ℓ Color: Prime Silver

#### Convenience

Big Vegetable Box  
Smart Diagnosis

#### Freshness

Moist Balance Crisper  
Multi Air Flow  
Fresh 0 Zone  
LINEAR Cooling

#### Design

Pocket Handle  
Tempered Glass Shelf  
Soft LED Lighting

#### Energy & Durability

Smart Inverter Compressor  
10yr Compressor Warranty



### GL-C252SLBB

234ℓ Color: Platinum Silver

#### Convenience

Big Vegetable Box  
Twist Ice Tray  
Smart Diagnosis

#### Freshness

Moist Balance Crisper  
Multi Air Flow

#### Design

Pocket Handle  
Tempered Glass Shelf  
Soft LED Lighting

#### Energy & Durability

Smart Inverter Compressor  
10yr Compressor Warranty



### GN-B212PFNF

217ℓ Color: Prime Silver

#### Convenience

Big Vegetable Box  
Smart Diagnosis

#### Freshness

Moist Balance Crisper  
Multi Air Flow  
LINEAR Cooling

#### Design

Pocket Handle  
Tempered Glass Shelf  
Soft LED Lighting

#### Energy & Durability

Smart Inverter Compressor  
10yr Compressor Warranty



### GN-B202SQBB

187ℓ Color: Dark Graphite Steel

#### Convenience

Big Vegetable Box  
Smart Diagnosis

#### Freshness

Moist Balance Crisper  
Multi Air Flow

#### Design

Pocket Handle  
Tempered Glass Shelf  
Soft LED Lighting

#### Energy & Durability

Smart Inverter Compressor  
10yr Compressor Warranty

## Bottom Freezer Fridge



### GC-B569NQCM

462ℓ Color: Matte Black

#### Convenience

ThinQ™  
Twist Ice Tray

#### Freshness

LINEAR Cooling™  
Multi Air Flow  
Door Cooling+  
Fresh Balancer

#### Design

Pocket Handle  
External LED Display  
Reversible Door  
Soft LED Lighting

#### Energy & Durability

Smart Inverter Compressor  
10yr Compressor Warranty



### GN-B389FLDM

335ℓ Color: Prime Silver

#### Convenience

ThinQ™

#### Freshness

LINEAR Cooling™  
Multi Air Flow  
Door Cooling+  
Fresh Balancer

#### Design

Pocket Handle  
External LED Display  
Reversible Door  
Soft LED Lighting

#### Energy & Durability

Smart Inverter Compressor  
10yr Compressor Warranty



### GC-B369NLJM

306ℓ Color: Prime Silver

#### Convenience

ThinQ™

#### Freshness

LINEAR Cooling™  
Multi Air Flow  
Door Cooling+  
Fresh Balancer

#### Design

Pocket Handle  
External LED Display  
Reversible Door  
Soft LED Lighting

#### Energy & Durability

Smart Inverter Compressor  
10yr Compressor Warranty

## Single Door Refrigerator



### GN-Y331SLSR

195ℓ Color: Platinum Silver

#### Convenience

Big Vegetable Box

#### Freshness

Moist Balance Crisper

#### Design

Ergonomic Pocket Handle  
Stylish Round Design

#### Energy & Durability

Smart Inverter Compressor  
10yr Compressor Warranty



### GL-B201SLLB

180ℓ Color: Shiny Steel

#### Convenience

Fastest Ice Maker  
Inverter Compressor  
Low Voltage Stabilizer

#### Freshness

Tempered Glass  
Vegetable Box (Moist Balance Crisper)

#### Design

Pocket Handle

#### Energy & Durability

Inverter Compressor



### GN-Y201SLSR

163ℓ Color: Platinum Silver

#### Convenience

Big Vegetable Box

#### Freshness

Moist Balance Crisper

#### Design

Stylish Round Design  
Ergonomic Pocket Handle

#### Energy & Durability

Smart Inverter Compressor  
10yr Compressor Warranty

## Single Door Refrigerator



### GL-131SLQP

163ℓ Color: Dazzle Steel

#### Convenience

Drawer for Small Items

#### Freshness

10-step Temperature Control

#### Design

2 Wire Shelves

Ergonomic Pocket Handle

#### Energy & Durability

Recipro Compressor

Eco-friendly Refrigerator

## Upright Freezer & Fridge



### GC-F411ELDM

324ℓ (fridge) Color: Platinum Silver

#### Convenience

Wine Rack

ThinQ™

Zero Clearance

Compartmentalized

#### Freshness

Multi Air Flow

DoorCooling+

LINEAR Cooling

Moist Balance Crisper

#### Design

Soft LED Lighting

External Display

Flat Duct

Flat Door

Reversible Door

#### Energy & Durability

10yr Compressor Warranty



### GC-B414ELFM

384ℓ (freezer) Color: Platinum Silver

#### Convenience

Compartmentalised Storage

Smart Diagnosis

Big Freezing Zone

Big Capacity with Thin Insulation

#### Freshness

Multi Air Flow

#### Design

External Display

Flat Door

Soft LED Lighting

Reversible Door

#### Energy & Durability

Inverter Compressor

10yr Compressor Warranty

Less Noise



### GN-304SLBR

165ℓ Color: Platinum Silver

#### Convenience

Smart Storage (6shelves, 1 Drawer)

Smart Inverter Compressor

Freezer Compartment

6 Shelves

4 Door Basket

1 Drawer

#### Design

3D Curved door / Pocket handle

Platinum Silver

#### Energy & Durability

Smart Inverter Compressor

10yr Compressor Warranty







# Exclusive World of **WASHING MACHINES**



## **WHERE FABRIC MEETS FUNCTION**



LG Washing Machines redefine laundry with advanced features that clean better, care more, and run smarter. Whether you're dealing with heavy loads or delicate fabrics, there's a solution built for your lifestyle..





## WT1311PB WashTower(WT"24)

13 | 10 KG

**Color: Washer - Platinum Black**

**Dryer - Platinum Black**

**Dimension: mm (W x D x H)**  
600 x 1655 x 660 (130kg)

### Performance

AIDD  
Steam Wash /Allergy Care  
TurboWash 360 (Washer)  
6 Motions  
Eco Hybrid (Dryer)

### Durability

Full Stainless Steel Inside  
10yr Warranty DD Motor  
10 Yr warranty Motor (Dryer)  
10 Yr warranty Compressor (Dryer)

### Convenience

Space Utilization  
Wi-Fi ThinQ  
Download Cycle  
Cloud Cycle  
Prepare to Dry  
59min Quick Wash + Quick Dry  
Auto Cleaning Condensor (Dryer)  
Smart Diagnosis

### Design

Flat Panel  
Black Tinted Tempered Glass Cover  
Dial + Touch LED

## Front Load Washer Dryers



**F3L2CRV2T**  
Washer Dryer 20 | 12 KG  
Color: Prime Silver

**Key Features**

Inverter DD motor  
6 Motion  
TrueSteam  
TurboDry  
Turbowash

**Durability**

Motor 10year Warranty  
Full STS Drum

**Convenience**

SmartThinQ (Wi-Fi)  
Smart Diagnosis

**Design**

Chrome Rim



**F0Z6DRP24**  
Washer Dryer 15 | 8 KG  
Color: Essence Graphite

**Key Features**

AIDD  
Steam  
AllergyCare  
Turbowash 360  
1,000 RPM

**Durability**

Motor 10year Warranty  
Full STS Drum

**Convenience**

ThinQ

**Design**

Flat Panel  
Black Tinted Tempered Glass Door  
Dial + Touch LED



**FOL9DGP2S**  
Washer Dryer 15 | 8 KG  
Color: Silver

**Key Features**

AIDD  
6 Motion  
Steam  
TurboDry

**Durability**

Motor 10year Warranty  
Full STS Drum

**Convenience**

ThinQ

**Design**

Big Touch LED Display  
Tempered Glass Door  
Chrome Dial Knob



**F4Y9LDP2Z**  
Washer Dryer 13 | 7 KG  
Color: Platinum Black

**Key Features**

AIDD  
Wrinkle+Allergy  
Steam  
Turbowash 360(39")  
EzDispense

**Durability**

Motor 10year Warranty  
Full STS Drum

**Convenience**

ThinQ

**Design**

Flat Panel  
Black Tinted Tempered Glass Cover  
Dial + Hard Buttons



**F4V9BDP2EE**  
Washer Dryer 12 | 8 KG  
Color: Platinum Black

**Key Features**

AIDD  
6 Motion  
1400RPM  
Spa Steam  
Turbowash 360(39")  
Wrinkler+Allergy

**Durability**

Motor 10year Warranty  
Full STS Drum  
STS Lifter

**Convenience**

Smart Diagnosis  
ThinQ

**Design**

Big Touch LED Display  
Tempered Glass Door  
Chrome Dial Knob



**F4V5RGP2T**  
Washer Dryer 10.5 | 7 KG  
Color: Silver

**Key Features**

AIDD  
6 Motions  
Steam ( Allergy Care)  
Add Item Function  
1400RPM

**Durability**

Motor 10year Warranty  
Full STS Drum

**Convenience**

ThinQ  
Smart Diagnosis

**Design**

Glass Door  
Chrome Rim



**F4RVGG2E**  
**Washer Dryer** 9 | 5 KG  
 Color: Black Steel

**Key Features**

AI DD  
 6 Motion  
 Steam(Allergy Care)  
 Add Item Function  
 1400RPM

**Durability**

Motor 10year Warranty  
 Full STS Drum

**Convenience**

SmartThinQ (Wi-Fi)  
 Smart Diagnosis

**Design**

Glass door  
 Chrome Rim  
 Design



**FOZ6DYP24**  
 15 KG  
 Color: Essence Graphite

**Key Features**

AIDD  
 AllergyCare  
 Steam  
 Turbowash 360(39")

**Durability**

Motor 10year Warranty  
 Full STS Drum

**Convenience**

ThinQ

**Design**

Flat Panel  
 Black Tinted Tempered Glass Cover  
 Dial + Touch LED



**FOL9DYP2S**  
 15 KG  
 Color: Platinum Silver

**Key Features**

AIDD  
 6 Motion  
 Steam  
 Turbowash 360(39")

**Durability**

Motor 10year Warranty  
 Full STS Drum  
 STS Lifter

**Convenience**

ThinQ

**Design**

Big Touch LED Display  
 Tempered Glass Door  
 Chrome Dial Knob



**F4Y9LWP2Z**  
 13 KG  
 Color: Platinum Black

**Key Features**

AIDD  
 AI Wash  
 Steam  
 Turbowash 360 (39")

**Durability**

Motor 10year Warranty  
 Full STS Drum

**Convenience**

ThinQ

**Design**

Black Tinted Tempered Glass Cover  
 Dial + Hard Buttons



**F4V9BWP2EE**  
 12 KG  
 Color: Platinum Black

**Key Features**

AIDD  
 6 Motion  
 1400RPM  
 Spa Steam

**Durability**

Motor 10year Warranty  
 Full STS Drum  
 STS Lifter

**Convenience**

Smart Diagnosis  
 EZDispense™  
 ThinQ™

**Design**

Big Touch LED Display  
 Tempered Glass Door



**F4Y5EYGYPV**  
 11KG  
 Color: Platinum Silver

**Key Features**

Inverter DirectDrive  
 Allergy Care(Washer)  
 Steam  
 Turbowash 59  
 AI DD

**Durability**

Motor 10year Warranty  
 Full STS Drum

**Convenience**

ThinQ™

**Design**

Black Tinted Tempered Glass Cover  
 Dial + Touch LED



## F4R3VYG6P

9 KG  
Color: Platinum Silver

### Key Features

AI DD  
6 Motion  
Spa Steam

### Durability

Motor 10year Warranty  
Full STS Drum

### Convenience

Smart Diagnosis

### Design

Big Touch LED Display



## F4J3TYG6J

8 KG  
Color: Middle Black

### Performance

Inverter DD Motor  
6 Motion

### Durability

Motor 10year Warranty

### Convenience

Smart Diagnosis

### Design

Smart Diagnosis  
Dial Knob

## Dryers

---



## RH90V9PV8N

9KG  
Color: Platinum

### Key Features

Dual Inverter Heat Pump  
Dual Inverter 10 Year Warranty  
Low Temperature Drying by Heatpump  
Sensor Dry

### Durability

10 yr Compressor Warranty  
10 yr Motor Warranty

### Convenience

Autocleaning Condenser  
EcoHybrid  
Save Energy or Save Time  
Reduces household dust mites by up to 99.9%

### Design

Reversible Door



## RH80T2SP7RM

8KG  
Color: Dark Silver

### Key Features

Heat Pump Dryer  
Low Temperature Drying by Heatpump  
Sensor Dry

### Convenience

Time Saving  
Energy Saving  
Less Noise

### Design

Big LED Display

## Top Load Washing Machine

---



### T19H3SDHT2

Washer Only 19KG  
Color: Platinum Silver

#### Performance

HEDD Motor  
TurboDrum™  
Auto Tub Clean  
Auto Pre-wash

#### Durability

Motor 10year Warranty  
Full STS Drum  
Wide Filter x 1  
Smart Inverter

#### Convenience

Smart Diagnosis

#### Design

Wide Transparent Glass Door  
Touch Panel Design



### T17H3SDHT2A

Washer Only 17KG  
Color: Platinum Black

#### Performance

HEDD Motor  
TurboDrum™  
Auto Tub Clean  
Auto Pre-wash

#### Durability

Motor 10year Warranty  
Full STS Drum  
Wide Filter x 1  
Smart Inverter

#### Convenience

Smart Diagnosis

#### Design

Wide Transparent Glass Door  
Touch Panel Design



### T16V1NDHT2C

Washer Only 16KG  
Color: Middle Black | Dark Silver

#### Performance

Smart Inverter  
MotorSmart  
MotionTurboDrum™  
Tub Clean

#### Durability

Motor 10year Warranty  
Smart Inverter

#### Convenience

Smart Diagnosis  
Smart Motion

#### Design

Diamond Glass Lid  
Soft Closing/Wide Door



### T1466NEHG2

Washer Only 14KG  
Color: Middle Black

#### Performance

Smart Inverter Motor  
Smart Motion  
TurboDrum™  
Tub Clean

#### Durability

Motor 10year Warranty  
Smart Inverter

#### Convenience

Smart Diagnosis

#### Design

Diamond Glass Lid  
Soft Closing/Wide Door



### T1288NEHGE

Washer Only 12KG  
Color: Middle Free Silver

#### Performance

Smart Inverter Motor  
Smart Motion  
TurboDrum™  
Tub Clean

#### Durability

Motor 10year Warranty  
Smart Inverter

#### Convenience

Smart Diagnosis

#### Design

Diamond Glass Lid  
Soft Closing/Wide Door



### T1085NDKVH1

Washer Only 9KG  
Color: Middle Free Silver/White

#### Performance

Smart Inverter Motor  
Smart Motion  
TurboDrum™  
Tub Clean

#### Durability

Motor 10year Warranty  
Smart Inverter

#### Convenience

Smart Diagnosis

#### Design

Diamond Glass Lid  
Soft Closing/Wide Door

# TwinTub Washing Machine



**P2061RWPT**  
**Washer Only 18 KG**  
**Color: Body Blue White,**  
**Control Panel Midnight Black**

- Performance**  
 Roller Jet & Punch +3  
 Wind Jet Spray  
 Pre-Soak  
 4 Washing Program
- Convenience**  
 Power Filter  
 Rat Away Technology  
 Wind Dry  
 Water Selector  
 Lint Filter
- Design**  
 Transparent Door  
 Deco Knob Chrome



**P1961RWPT**  
**Washer Only 16KG**  
**Color: Body Blue White,**  
**Control Panel Midnight Blue**

- Performance**  
 Roller Jet & Punch +3  
 Wind Jet Spray  
 Pre-Soak  
 3 Washing Program
- Convenience**  
 Power Filter  
 Rat Away Technology  
 Wind Dry  
 Water Selector  
 Lint Filter
- Design**  
 2-Tone Body  
 Transparent Door  
 Deco Knob Chrome



**P1761RWPT**  
**Washer Only 13 KG**  
**Color: Body Blue White | Black**  
**Control Panel Midnight Blue**

- Performance**  
 Roller Jet & Punch +3  
 Wind Jet Spray  
 Pre-Soak  
 3 Washing Program
- Convenience**  
 Power Filter  
 Rat Away Technology  
 Wind Dry  
 Water Selector  
 Lint Filter
- Design**  
 Deco Knob Chrome



**P1761RWPT**  
**Washer Only 13 KG**  
**Color: Body Blue White | Black**  
**Control Panel Midnight Blue**

- Performance**  
 Roller Jet & Punch +3  
 Wind Jet Spray  
 Pre-Soak  
 3 Washing Program
- Convenience**  
 Power Filter  
 Rat Away Technology  
 Wind Dry  
 Water Selector  
 Lint Filter
- Design**  
 2-Tone Body  
 Transparent Door  
 Deco Knob Chrome



**P1401RONL**  
**Washer Only 11KG**  
**Body White/Light Gray**  
**Control Panel Misty Blue-Midnight Blue**

- Performance**  
 Roller Jet & Punch +3  
 Wind Jet Spray  
 Pre-Soak  
 3 Washing Program
- Convenience**  
 Power Filter  
 Rat Away Technology  
 Wind Dry  
 Water Selector  
 Lint Filter
- Design**  
 Midnight blue  
 Deco Knob Chrome



**P961RONL**  
**Washer Only 6 KG**  
**Body: Blue White**  
**Control Panel: Blue, Door: Opaque**

- Performance**  
 Roller Jet & Punch +3  
 Wind Jet Spray  
 Pre-Soak  
 3 Washing Program
- Convenience**  
 Power Filter  
 Rat Away Technology  
 Lint Filter
- Design**  
 Misty Blue-Midnight blue  
 Deco Knob Chrome

# From Mealtime to More Time

LG Dishwasher does the dishes, you do you.



Powered by LG

 TrueSteam™

Life's Good.

# Exclusive World of **DISHWASHERS**



**LG**

It's  
**Love**  
at first sparkle  
with LG Dishwasher

**Life's Good.**

With LG Dishwashers, speed meets precision. Designed for the fast-paced modern kitchen, these appliances make meal prep quicker, easier, and tastier without compromising on quality.





## DFC-287HMS

**Truesteam**  
Color: Matte Black

### Performance

Truestream™  
Quadwash™ (Multi-motion Wash Arms)  
10-year Warranty on Inverter Direct Drive  
SmartThinQ™ (Wi-Fi Enabled)  
14 Place Setting  
9.5L Water Consumption  
10 Wash programs

### Durability

Stainless Steel Inside  
10yr Warranty DD Motor

### Convenience

EasyRack™ Plus  
Folderable Tines  
Heat Dry  
Auto Open Dry  
Lower, Upper & 3rd Rack  
ThinQ  
Download Cycle  
Smart Diganosis

### Design

Matte Black Finishing  
Front Display



## DFC-435FP

**Truesteam**  
Color: Silver

### Performance

Truestream™  
™Quadwash™ (Multi-motion Wash Arms)  
10-year Warranty on Inverter Direct Drive  
SmartThinQ™ (Wi-Fi Enabled)  
14 Place Setting  
9.9L Water Consumption  
10 Wash programs

### Durability

Stainless Steel Inside  
10yr Warranty DD Motor

### Convenience

EasyRack™ Plus  
Folderable Tines  
Auto Open Dry  
Lower, Upper & 3rd Rack  
ThinQ  
Download Cycle  
Smart Diganosis

### Design

Silver Finishing  
Front Display



## DBC-435TSL

**Built-In Dishwasher**  
Color: Platinum Silver

### Performance

TrueSteam™  
QuadWash™  
14 Place Setting  
9.5L Water Consumption  
10 Wash programs

### Convenience

EasyRack™ Plus  
Folderable Tines  
Auto Open Dry  
Lower, Upper & 3rd Rack  
ThinQ  
Download Cycle  
Smart Diganosis

### Durability

Stainless Steel Inside  
10yr Warranty DD Motor

### Design

Built In Design  
Front Display



## DFC-811FL

**Nonsteam**  
Color: Platinum Silver

### Performance

13 Place Setting  
9.9L Water Consumption  
8 Wash programs

### Convenience

Flexible Loading Option  
Lower, Upper

### Durability

Stainless Steel Inside

### Design

Silver  
Front Display





09:30



Nivel de Potencia



Descongelado Automático



Recalentado Automático



Auto Cocción

-

+

5 INICIO

Start

5 INICIO

Selección / +30 segundos

# Exclusive World of MICROWAVES



---

**EFFORTLESS MEALS, EVERY TIME.**

With LG Microwaves, speed meets precision. Designed for the fast-paced modern kitchen, these appliances make meal prep quicker, easier, and tastier without compromising on quality.





## MJ3965BCS

**Convection Microwave.**

39 l

**Color: Black**

**Cooking**

Smart Inverter  
Multi cooking  
Baking, Grilling, Cooking  
Auto Cooking  
Auto Defrost  
Fast cooking & reheating

**Convenience**

Anti-bacterial EasyClean™  
Stable Ring

**Design**

LED White Lamp  
Glass touch & Dial

**Power Output**

Microwave: 1350W  
Grill: 950w  
convection: 1850W



## MH8265CIS

**NeoChef Grill Microwave.**

42 l

**Color: Noble Silver**

**Cooking**

Smart Inverter  
Grilling, Cooking  
Auto Cooking  
Auto Defrost  
Fast cooking & reheating

**Convenience**

Anti-bacterial EasyClean™  
Stable Ring

**Design**

LED White Lamp  
Glass touch & Dial  
White LED

**Power Output**

Microwave: 1700W  
Grill: 950w



## MH8265DIS

**NeoChef Grill Microwave.**

42 l

**Color: Black**

**Cooking**

Smart Inverter  
Grilling, Cooking  
Auto Cooking  
Auto Defrost  
Fast cooking & reheating

**Convenience**

Anti-bacterial EasyClean™  
Stable Ring

**Design**

LED White Lamp  
Glass touch & Dial  
White LED

**Power Output**

Microwave: 1700W  
Grill: 950w



## MS4295CIS

**NeoChef Solo Microwave.**

42 l

**Color: Noble Silver**

**Cooking**

Smart Inverter  
Auto Cooking  
Auto Defrost  
Fast cooking & reheating

**Convenience**

Anti-bacterial EasyClean™  
Stable Ring

**Design**

LED White Lamp  
Glass touch & Dial

**Power Output**

Microwave: 1350W



## MS2595CIS

**NeoChef Solo Microwave.**

25 l

**Color: Noble Silver**

**Cooking**

Smart Inverter  
Auto Cooking  
Auto Defrost  
Fast cooking & reheating

**Convenience**

Anti-bacterial EasyClean™  
Stable Ring

**Design**

LED White Lamp  
Glass touch & Dial

**Power Output**

Microwave: 1350W



## MS3032JAS

**Solo Microwave.**

30 l

**Color: Black**

**Cooking**

Non-Inverter  
Auto Cooking  
Auto Defrost  
Fast cooking & reheating

**Convenience**

Anti-bacterial EasyClean™  
Stable Ring

**Design**

LED White Lamp  
Glass touch & Dial

**Power Output**

Microwave: 1000W



## MS2032GAS

**Solo Microwave.**

20 l

**Color: Black Smog Glass Finish**

### Cooking

Non-Inverter  
Auto Cooking  
Auto Defrost  
Fast cooking & reheating

### Convenience

99.99% Anti-Bacterial EasyClean™

### Design

LED White Lamp  
Glass touch & Dial



## MS2042DB

**Solo Microwave.**

20 l

**Color: Black**

### Cooking

Non-Inverter  
Auto Cooking  
Auto Defrost  
Fast cooking & reheating

### Convenience

99.99% Anti-Bacterial EasyClean™

### Design

LED White Lamp  
Glass touch & Dial



## MS2082F

**Solo Microwave.**

20 l

**Color: Black**

### Cooking

Non-Inverter  
Auto Cooking  
Auto Defrost  
Fast cooking & reheating

### Convenience

99.99% Anti-Bacterial EasyClean™

### Design

Mechanical Knobs

# Exclusive World of **BUILT-IN KITCHENS**



## **Just knock and enjoy your life getting more delicious**

In a space where fresh ingredients are cooked with flavor, At a moment when your everyday life becomes more special with your food, LG Built-in Kitchen accompanies you. From delicious stories unfolding in your kitchen, The InstaView Oven adds joy to the cooking process, and Induction is unified in the same space, While the Gas Cooktop brings to life a variety of flavors with its impressive firepower; Enjoy all of these features with LG Built-in Kitchen.

LG Built-in Kitchen.



**WSED7667M**  
**InstaView Built-in Oven**  
 76 l Matte Black Glass

**Design**

Display (4.3") Touch LCD  
 Control Touch  
 Cavity Color Blue

**Cooking**

Energy (TUV 1) A++  
 Heating Mode 24  
 Auto Cook 42  
 Temperature 30 ~ 250°C  
 Steam 0

**Convenience**

EasyClean  
 LED Lighting  
 InstaView  
 DoorSoft Closing / Open

**Accessory**

Telescopic 0 (1ea)  
 Meat Probe 0  
 Equipment 1 Wire Rack 1 Baking Tray  
 1 Universal Tray 1 Steam Tray

1L Water Tank  
 Steam Sous-vide

Air Fry



**WSED7613S**  
**InstaView Built-in Oven**  
 76 l Silver

**Design**

Display LED  
 Control Knob  
 Cavity Color Blue

**Cooking**

Energy (TUV 1) A+  
 Heating Mode 15  
 Auto Cook 32  
 Temperature 30 ~ 300°C  
 Steam 0

**Convenience**

Pyrolysis<sup>2</sup> EasyClean  
 Halogen  
 InstaView

**Accessory**

Telescopic 0 (1ea)  
 Meat Probe 0  
 Equipment 1 Wire Rack 1 Baking Tray  
 1 Universal Tray

Steam Sous-vide

Air Fry



**WSEZM7225S2**  
**Built-in Oven**  
 72 l Silver

**Design**

Display LED  
 Control Knob  
 Cavity Color Blue

**Cooking**

Energy (TUV 1) A  
 Heating Mode 12  
 Auto Cook -  
 Temperature 30 ~ 250°C  
 Steam -

**Convenience**

Catalysis  
 Halogen

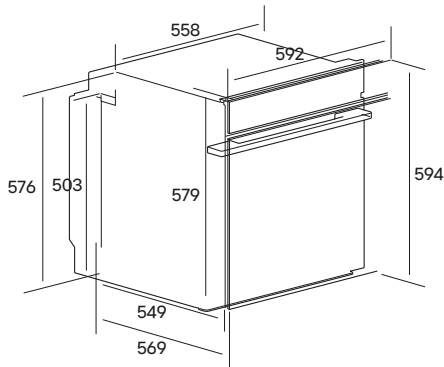
**Accessory**

Telescopic 0 (1ea)  
 Meat Probe 0  
 Equipment 1 Wire Rack 1 Baking Tray  
 1 Universal Tray

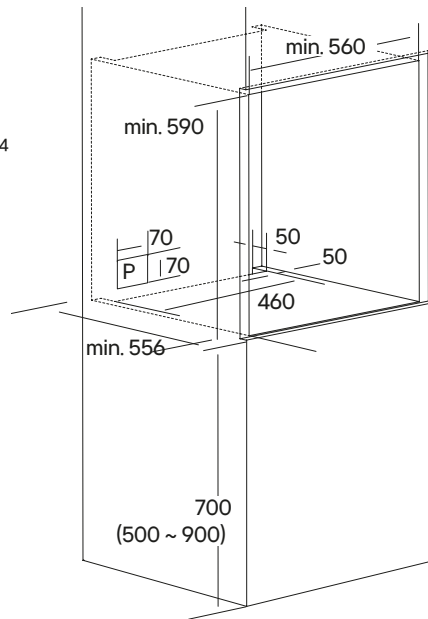


# INSTALLATION DRAWINGS (FOR 600 mm SINGLE BUILT-IN OVEN) WSED7667M, WSED7665B, WSED7613S

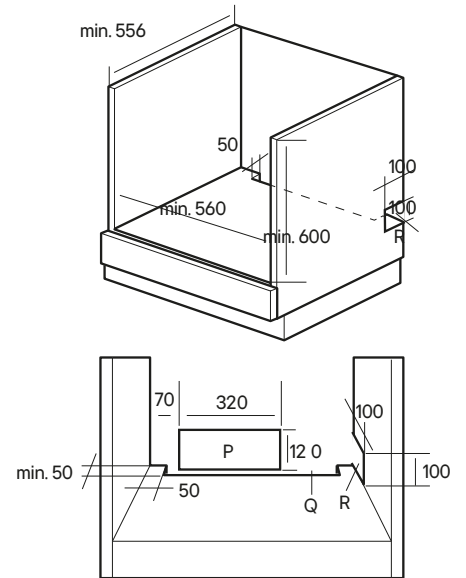
• Product



• Built-in Cabinet



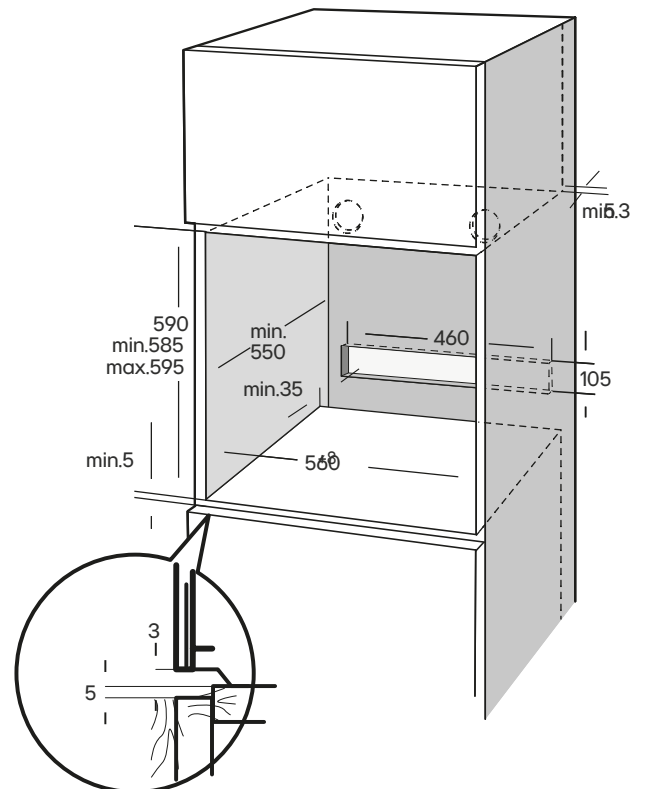
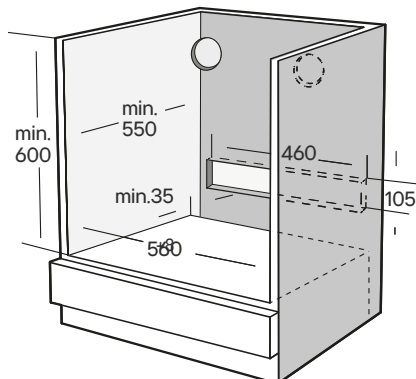
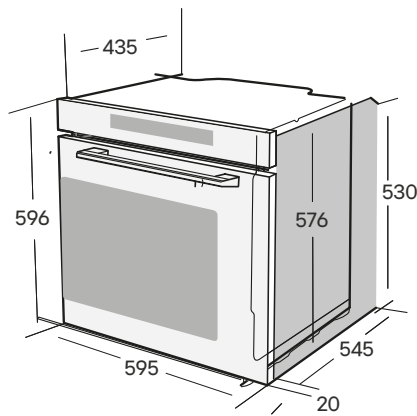
• Under-sink Cabinet



**Note**

- P: Back of the kitchen cabinet
- R: Side of the kitchen cabinet
- Q: Ventilation space

## WSEZM7225S2



\* If desired, create the holes with P and R to allow the power lines to pass through the cabinet.



**MGBZ2593F**  
**Built-in Microwave**  
**25 l Black**

**Design**

Glass Touch  
 LED Display  
 Integrated Lamp

**Cooking**

Auto Defrost  
 Auto Cook

**Convenience**

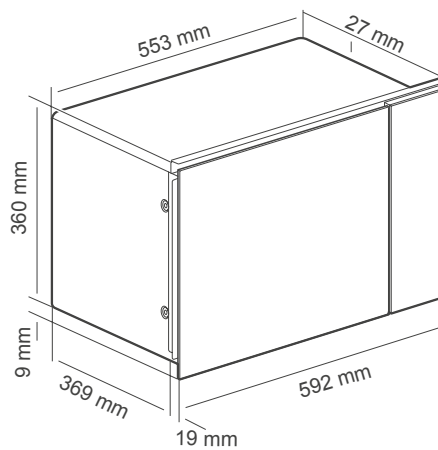
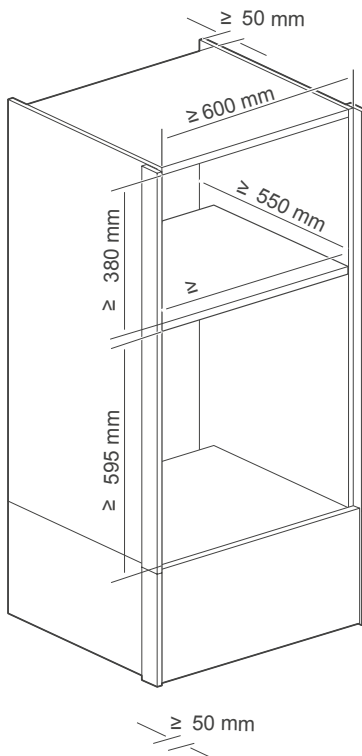
Clock  
 Kitchen Timer  
 Child Lock  
 Auto Cooking

**Accessory**

Quick Start  
 Auto Defrost



**INSTALLATION DRAWINGS**



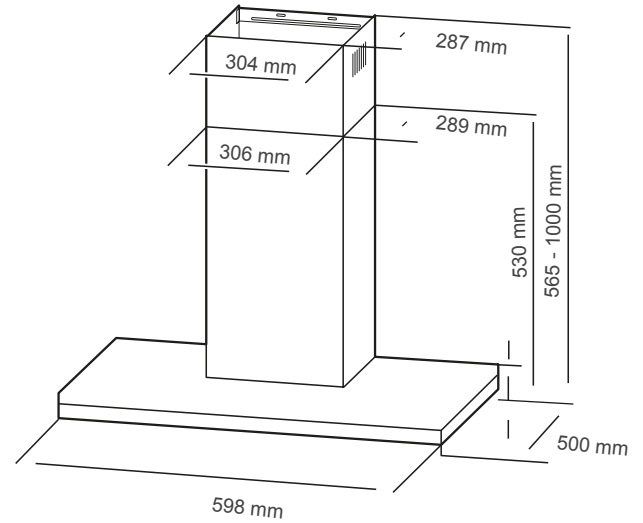




## HOOD

- Powerful Suction: 830 n3 /h (Booster)
- Noise: 77 dB (Booster)
- Boost Extraction
- 4 Step Power Level
- White LED Lighting
- Touch Control/Black Glass + Stainless Steel
- Washable Aluminum Grease Filter
- Recirculation by Charcoal Filter
- Suction: 800m3/h (Boost)

## INSTALLATION DRAWINGS



900 mm T - Shape

## HC7Z3625S Built-in Hood

### Features

Surface	900ml
Controls	Touch
Lighting	1.5 W x 2 LED
Filters	Washable Aluminum Grease Filter, Charcoal Filter (Recirculation Filter)

### Blower

Speed Levels	3 + Boost
CMH (min-max)	280 - 830
dB (min-max)	55 - 77

### Materials / Finishes

Available Colors	Stainless Steel + Black Glass
------------------	-------------------------------

### Power / Ratings

Ratings / Requirements / Type	220 - 240V, 50 / 60Hz
-------------------------------	-----------------------



600 mm T - Shape

## HC7Z2425S Built-in Hood

### Features

Surface	600ml
Controls	Touch
Lighting	1.5 W x 2 LED
Filters	Washable Aluminum Grease Filter, Charcoal Filter (Recirculation Filter)

### Blower

Speed Levels	3 + Boost
CMH (min-max)	280 - 830
dB (min-max)	55 - 77

### Materials / Finishes

Available Colors	Stainless Steel + Black Glass
------------------	-------------------------------

### Power / Ratings

Ratings / Requirements / Type	220 - 240V, 50 / 60Hz
-------------------------------	-----------------------



600 mm T - Shape

## HCEZ2415S2 Built-in Hood

### Features

Surface	600ml
Controls	Button
Lighting	1.5 W x 2 LED
Filters	Washable Aluminum Grease Filter,

### Blower

Speed Levels	3 + Boost
CMH (min-max)	300 - 800
dB (min-max)	50 - 71

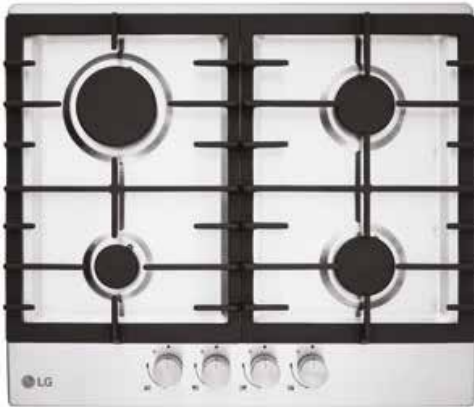
### Materials / Finishes

Available Colors	Stainless Steel
------------------	-----------------

### Power / Ratings

Ratings / Requirements / Type	220 - 240V, 50 / 60Hz
-------------------------------	-----------------------

## Built-in Gas Cooktop



Color Stainless Steel

## HU641BBG

### Features

Cooktop Burner Type	Gas
No. of Burners	4
Burner / Watts - Left Rear	3,000
Burner / Watts - Right	1,750
Rear Burner / Watts - Center Front	-
Burner / Watts - Center Rear	-
Burner / Watts - Left Front	1,000
Burner / Watts - Right Front	1,750
Cooktop Finish	Stainless Steel / Black Porcelain

### Control

Cooktop Control Type	Knob
Display	No
Control Location	Front - Center

### Power / Ratings

kW	2 W
Requirements	220 - 240V 50 / 60Hz

### Appearance

All Available Colors	Stainless Steel
Knobs	Aluminum



Color Stainless Steel

## CG5Z3626S

### Features

Cooktop Burner Type	Gas
No. of Burners	5
Burner / Watts - Left Rear	3,000
Burner / Watts - Right	1,750
Rear Burner / Watts - Center Front	4,000
Burner / Watts - Center Rear	-
Burner / Watts - Left Front	1,000
Burner / Watts - Right Front	1,750
Cooktop Finish	Stainless Steel / Black Porcelain

### Control

Cooktop Control Type	Knob
Display	No
Control Location	Front - Center

### Dimensions/ Clearance/ Weight

Product (WxHxD)	860x90x510
Cut-out (WxHxD)	815x490 mm
Packing (WxHxD)	932x182x602mm
Product Weight	11.8 kg
Shipping Weight	14.6 kg

### Power / Ratings

kW	2 W
Requirements	220 - 240V 50 / 60Hz

### Appearance

All Available Colors	Stainless Steel
Knobs	Aluminum



# COMMERCIAL LAUNDRY SOLUTION

We got you and your business



• Stronger • Smarter • Healthier • More Efficient

Get more done in less time with up to 150L Tub, enhanced speed and LG's Exclusive stackable design.



**Faster**

LG's Gyro Balancing Sensor precisely detects the tub movement to activate the most proper algorithm for washing cycle, ensure it finishes within 36mins.



**Smarter**

smartest way by monitoring your laundromat operations remotely. LG's Remote Monitoring App makes it easier than ever



**Healthier**

Always keep your washers clean with LG Hygiene Care System. Now you can sanitize your washers before, during, and after each load.



**Stronger**

LG's professional grade parts are built to last repeated use,

Inverter Direct Drive Motor, new Gyro Balancing System technology minimize friction and vibration.

# Commercial Washers

## SPECIFICATION



## FH0C7FD2MS

Washer 15KG

### CYLINDER

		Non-Heater	Heater
Drum Volume	cu.ft ( )	5.2 (147)	5.2 (147)
Diameter	in. ,mm ( )	24 (610.8)	24 (610.8)
Depth	in. ,mm ( )	20.4 (518.1)	20.4 (518.1)

### DIMENSIONS

		Non-Heater	Heater
Product (WxHxD)	,mm ( )	29 x 40.8 x 32 737 x 1,036 x 814	29 x 40.8 x 32 737 x 1,036 x 814
With Door Open Carton (WxHxD)	in. ,mm ( ) ,mm ( )	53 (1,370) 31 x 44.3 x 33.3 788 x 1,125 x 846	53 (1,370) 31 x 44.3 x 33.3 788 x 1,125 x 846
Weight (Product/Carton)lb (kg)		221.8 (100.6) / 248 (112.5)	221.8 (100.6) / 248 (112.5)

### SPEED<sup>0)</sup>

	RPM	Non-Heater	Heater
Wash	RPM	46	46
Extract (Max RPM)	RPM	1,000	1,000
G-force	G	342	342

### RATING<sup>0)</sup>

	Non-Heater	Heater
Electric Ratings V/Hz/A	100~120 / 50 or 60 / 4.2~5 (Heating 8.5~9.0) 220~240 / 50 or 60 / 2.1~2.3 (Heating 9.1~10)	-

### \*CONSUMPTION INDEX<sup>0)2)</sup>

		Non-Heater	Heater
Water <sup>2)</sup>	GAL (L)	18.5~22.5(70~85) <sup>1)</sup>	18.5~21(70~80) <sup>4)</sup>
Electricity	kW/cycle	100~120 / 0.5(Heating 0.85~1.0) 220~240 / 0.5(Heating 2.0~2.4)	220~240 / 3.2~3.8

### NOISE & CYCLE TIME

	dB	Non-Heater	Heater
Noise Level (Sound Power)	dB	62	62
Program Duration in Minutes (Default) <sup>0)</sup>	min	36	59 (60°C Course)

### SYSTEM & CONTROL

	Non-Heater	Heater
Inverter Direct Drive Motor	O	O
Heating Element	100~120 / 1,000 220~240 / 2,000	- 220~240 / 3200
Drain System	BLDC	BLDC
Emergency Stop Button	O (OPL Only)	O (OPL Only)
Auto Dosing Interface	O	O
Gyro Sensor	O	O
Damper	4 Friction Dampers	4 Friction Dampers

### PROGRAMS

	Non-Heater	Heater
Program List	Hot* Warm* Cold* Delicates*  Custom PGM (OPL)	75°C 60°C 40°C/30°C <sup>3)</sup> Cold * Custom PGM

### EXTERNAL FINISH

	Non-Heater	Heater
Drum	Stainless Steel	Stainless Steel

### CIRCUIT PROTECTION

	amps	Non-Heater	Heater
PCB Fuse - Main Control Board	amps	12 (220~240V)	12 (220~240V)
PCB Fuse- Filter Assembly	amps	15	15

\*Dimensions and weights are approximate. \*Design, features, and specifications subject to change without notice.

\*Some models may not be available for sale in certain countries. \*Model name may vary by country

\*Energy Course available

0) This specification is different by countries. For the most accurate information, please refer to service manual.

1) Only for tub clean cycle using heater.

2) Based on DOE J2/J1 testing

3) When you press button for 3 seconds, Cold cycle will be changed to Custom PGM. (Cold for coin model, Custom PGM for OPL model)

4) Loads : IEC 6.5kg / Default water level (Non heater : high / Heater : Mid)

\*The water consumption can be different according to load and water level because our product measure the water level frequency.

FRONT

SIDE



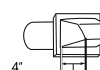
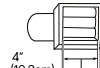



# Commercial Dryers



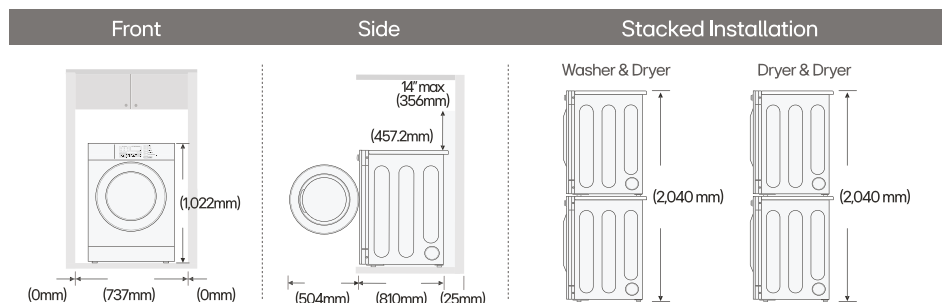
**RV1840CD7**  
Dryer 15KG

		SPECIFICATION	
		Gas	Electricity
<b>CYLINDER</b>			
Drum Volume	cu.ft (ℓ)	90 (254)	90 (254)
Diameter	in. ,mm ( )	28.2 (716)	28.2 (716)
Depth	in. ,mm ( )	24.2 (614)	24.2 (614)
<b>DIMENSIONS</b>			
Product (WxHxD)	(in) mm ( )	29 x 40.2 x 319 737 x 1,022 x 810	29 x 40.2 x 319 737 x 1,022 x 810
With Door Open	in. ,mm ( )	53.2 (1,350)	53.2 (1,350)
Carton (WxHxD)	(in) mm ( )	31.5 x 45.6 x 33.8 800 x 1158 x 85	31.5 x 45.6 x 33.8 800 x 1158 x 85
Carton (WxHxD)	lb (kg)	150 (68.2) / 1671 (75.8)	150 (68.2) / 1671 (75.8)
<b>RATING<sup>0)</sup></b>			
Electric Ratings V/Hz/A		120/60/5 220~240/50/2.4 220/60/3	120 (240)/60/26 220~240/50/22.5 220/60/21 240/50/19.5
<b>*CONSUMPTION INDEX<sup>0)2)</sup></b>			
kW		0.35	4.5~5.4 <sup>1)</sup>
<b>SYSTEM &amp; CONTROL</b>			
Heating Type		Gas (LNG/LPG) <sup>1)</sup>	Electric
Type of Drying		Ventilation	Ventilation
Air Flow	CFM	210	210
Motor	kW	0.33	0.33
Gas Ratings <sup>0)</sup>	kW/BTU	7.4 / 25,000	-
Program Duration in Minutes (Default) <sup>0)</sup>	min	40	40
<b>CONNECTIONS</b>			
Air Outlet Diameter	in. ,mm ( )	4 (100) 4 (100)	4 (100) 4 (100)
<b>PROGRAMS</b>			
Program List		High Temp Med Temp Low Temp No Heat	High Temp Med Temp Low Temp No Heat
<b>EXTERNAL FINISH</b>			
Drum		Stainless Steel	Stainless Steel

Weather Hood Type	Number of 90° Elbows	Maximum length of 4" (10.2cm) diameter rigid metal duct	Maximum length of 4" (10.2cm) diameter flexible metal duct
 4" (10.2cm)	0	65 feet(19.8m)	45 feet(13.7m)
	1	55 feet(16.8m)	35 feet(10.7m)
	2	47 feet(14.3m)	30 feet(9.1m)
	3	36 feet(11.0m)	25 feet(7.6m)
 4" (10.2cm)	4	28 feet(8.5m)	20 feet(6.1m)
	0	55 feet(16.8m)	35 feet(10.7m)
	1	47 feet(14.3m)	27 feet(8.2m)
	2	41 feet(12.5m)	21 feet(6.4m)
 2-1/2" (6.35cm)	3	30 feet(9.1m)	17 feet(5.2m)
	4	22 feet(6.7m)	15 feet(4.5m)

\*Dimensions and weights are approximate. \*Design, features, and specifications subject to change without notice.  
\*Some models may not be available for sale in certain countries. \*Model name may vary by country

0) This specification is different by countries. For the most accurate information, please refer to service manual.  
1) Gas type depends on country sales model.



# Commercial Washers



**FH069FD2MS**  
Washer 10.5KG

		SPECIFICATION	
		Non-Heater	Heater
<b>CYLINDER</b>			
Drum Volume	cu.ft (ℓ)	3.7 (104.8)	3.7 (104.8)
Capacity	Kg	10.3~12.8	10.3~12.8
Diameter	in. ,mm ( )	22.1 (560)	22.1 (560)
Depth	in. ,mm ( )	16.5 (419.3)	16.5 (419.3)
<b>DIMENSIONS</b>			
Product (WxHxD)	,mm ( )	27 x 38.7 x 30.2 686 x 983 x 767	27 x 38.7 x 30.2 686 x 983 x 767
With Door Open	in. ,mm ( )	50.8 (1291)	50.8 (1291)
Carton (WxHxD)	mm ( )	29.6 x 42.9 x 31.4 752 x 1080 x 798	29.6 x 42.9 x 31.4 752 x 1080 x 798
<b>SPEED<sup>①)</sup></b>			
Wash	RPM	40~50	40~50
Extract (Max RPM)	RPM	1,200	1,200
G-force	G	451	451
<b>RATING<sup>①)</sup></b>			
Electric Ratings V/Hz/A		100~120 / 50 or 60 / 4.2~5 (Heating 8.5~9.0) <sup>①)</sup> 220~240 / 50 or 60 / 2.1~2.3 (Heating 8.4~9.6) <sup>①)</sup>	220~240 / 50 or 60 / 13.3~17.5
<b>*CONSUMPTION INDEX<sup>②)</sup></b>			
Water <sup>②)</sup>	GAL (L)	17~21(65~80)	16~18.5(60~70)
Electricity	kW/cycle	100~120 / 0.5 (Heating 0.85~1.0) 220~240 / 0.5(Heating 1.85~2.3)	3.6~2.8
<b>NOISE &amp; CYCLE TIME</b>			
Noise Level (Sound Power)		Lower than 62	Lower than 62
Program Duration in Minutes (Default) <sup>③)</sup>	dB min	36	59 (60°C) Course <sup>③)</sup>
<b>SYSTEM &amp; CONTROL</b>			
Inverter Direct Drive Motor		○	○
Heating Element		100~120 / 1,000 <sup>①)</sup> 220~240 / 2,000 <sup>①)</sup>	- 220~240 / 3,200 <sup>①)</sup>
Drain System		BLDC Pump Drain	BLDC Pump Drain
Auto Dosing Interface		○	○
Gyro Sensor		○	○
Damper		4 Friction Dampers	4 Friction Dampers
<b>PROGRAMS</b>			
Program List		Hot or Hygiene (Short Key) <sup>④)</sup> *Pre-Clean (Long Key) <sup>⑤)</sup> Warm Cold Delicates Add Super Wash (Card & Coin)/ Custom PGM (OPL)Custom PGM (OPL)	- 90°C(194°F) 75°C(167°F) 60°C(140°F) 40°C(104°F) Cold(Short Key) *Custom PGM(Long Key) <sup>⑥)</sup>
<b>EXTERNAL FINISH</b>			
Drum		Stainless Steel	Stainless Steel
<b>CIRCUIT PROTECTION</b>			
PCB Fuse - Main Control Board	amps	12 (220~240V)	12 (220~240V)
PCB Fuse- Filter Assembly	amps	15	15

\*Dimensions and weights are approximate. \*Design, features, and specifications subject to change without notice.

\*Some models may not be available for sale in certain countries. \*Model name may vary by country

①) This specification is different by countries. For the most accurate information, please refer to service manual.

1) Only for Hygiene or tub clean cycle using heater.

2) Loads : IEC 6.5kg / Default water level (Non heater : high / Heater : Mid

\*The water consumption can be different according to load and water level because our product measure the water level frequency.

3) Washer detects water temperature and adjusts heating time automatically if hot water supply is available

4) If H4CS is dISb(disable), Hot cycle can be run. If H4CS is EnAb(enable), hygiene cycle can be run.

5) When you press button for 3 seconds, Hot or Hygiene cycle will be changed to Pre-Clean cycle. (If ItCL is EnAb(enable), Pre-Clean cycle can be run.)

6) When you press button for 3 seconds, Cold cycle will be changed to Custom PGM. (Cold for coin model, Custom PGM for OPL model)



# Commercial Dryers

## SPECIFICATION



**RV1329C7T**  
Dryer 10.5KG

### CYLINDER

Drum Volume	cu.ft (ℓ)	7.3 (207)	7.3 (207)
Capacity	Kg	10.3~12.8	10.3
	in. ,mm ( )	26.1 (663)	26.1 (663)
Depth	in. ,mm ( )	22.5 (570.6)	22.5 (570.6)

### DIMENSIONS

Product (WxHxD)	,mm ( )	27 x 38.7 x 30.1 686 x 983 x 764	27 x 38.7 x 30.2 686 x 983 x 767
With Door Open	in. ,mm ( )	49.8 (1,264)	50.8 (1,291)
Carton (WxHxD)	,mm ( )	299 x 461 x 31.3 760 x 1,170 x 795	29.6 x 42.9 x 31.4 752 x 1,080 x 798
Carton (WxHxD)	lb (kg)	130 (59) / 143 (65)	130 (59) / 143 (65)

### SPEED<sup>0)</sup>

Wash	RPM	40~50	40~50
Extract (Max RPM)	RPM	1,200	1,200
G-force	G	451	451

### RATING<sup>0)</sup>

Electric Ratings V/Hz/A		120/60/5 220~240/50/2.4 220/60/3	120 (240)/60/26 220~240/50/22.5 220/60/21 240/50/19.5
-------------------------	--	--	--

### \*CONSUMPTION INDEX<sup>0)2)</sup>

kW		0.35	4.5~5.4 <sup>1)</sup>
----	--	------	-----------------------

### SYSTEM & CONTROL

Heating Type		Gas (LNG/LPG)	Electric
Type of Drying		Ventilation	Ventilation
Air Flow	CFM	160	160
Motor	kW	0.25	0.25
Gas Ratings <sup>0)</sup>	kW/BTU	5.8/20,000	-
Heating Element	kW	-	5.4
Program Duration in Minutes (Default) <sup>0)</sup>	min	45 (NA) / 50 (EU) / 45 (Australia)	45 (NA) / 50 (EU) / 45 (Australia)

### CONNECTIONS

Air Outlet Diameter	in. ,mm ( )	4 (100) 4 (100)	4 (100) 4 (100)
---------------------	-------------	--------------------	--------------------

### PROGRAMS

Program List		High Temp Med Temp Low Temp No Heat	High Temp Med Temp Low Temp No Heat
--------------	--	--	--

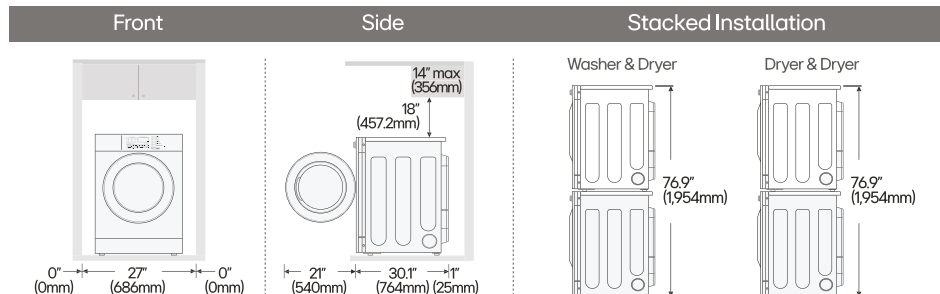
### EXTERNAL FINISH

Drum		Alcosta	Alcosta
------	--	---------	---------

Weather Hood Type	Number of 90° Elbows	Maximum length of 4" (10.2cm) diameter rigid metal duct	Maximum length of 4" (10.2cm) diameter flexible metal duct
	0	65 feet(19.8m)	45 feet(13.7m)
	1	55 feet(16.8m)	35 feet(10.7m)
	2	47 feet(14.3m)	30 feet(9.1m)
	3	36 feet(11.0m)	25 feet(7.6m)
	4	28 feet(8.5m)	20 feet(6.1m)
	0	55 feet(16.8m)	35 feet(10.7m)
	1	47 feet(14.3m)	27 feet(8.2m)
	2	41 feet(12.5m)	21 feet(6.4m)
	3	30 feet(9.1m)	17 feet(5.2m)
	4	22 feet(6.7m)	15 feet(4.5m)

\*Dimensions and weights are approximate. \*Design, features, and specifications subject to change without notice. \*Some models may not be available for sale in certain countries. \*Model name may vary by country. This specification is different by countries. For the most accurate information, please refer to service manual.

- 1) 4,500W for some countries due to power limitation (e.g. Australia).
- 2) Gas type depends on country sales model.







# Exclusive World of AI SMART TVs



**SMARTER SCREENS, BIGGER STORIES.**



LG Smart TVs elevate your viewing experience with vibrant visuals, immersive sound, and intuitive smart features that adapt to your preferences.



## OLED C5

Size: 83,77

### PICTURE

OLED evo  
 a9 AI Processor Gen8  
 a9 AI Picture Pro  
 Perfect Black / Perfect Color  
 Brightness Booster  
 100% Color Fidelity & Volume  
 Reflection & Discomfort Glare Free  
 Low Blue Light / Flicker Free  
 Personalized Picture Wizard  
 AI Genre Selection  
 AI Brightness Control  
 a9 AI Super Upscaling 4K  
 OLED Dynamic Tone Mapping Pro  
 Dolby Vision / HDR10 / HLG / FILMMAKER MODETM  
 G-SYNC / AMD FreeSync Premium /  
 VRR 144Hz / ALLM / QMS / HGiG  
 HDMI 2.1  
 Wi-Fi 6\*

### SOUND

Personalized Sound Wizard  
 2.2 Ch. / 40W  
 Dolby Atmos  
 a9 AI Sound Pro  
 Bluetooth Surround Ready\*  
 AI Acoustic Tuning\*  
 WISA Ready\*  
 Clear Voice Pro  
 Sound Mode Share  
 WOW Orchestra  
 e-ARC (HDMI 2)

### AI & SMART

webOS 25  
 Home Hub (LG ThinQ / Google Home)  
 AI Chatbot  
 Voice ID  
 Amazon Alexa\* & Alexa lite\* (Built in)  
 Apple Airplay\* & Home\* (Works with)  
 Google Cast\*  
 Intelligent Voice Recognition\*  
 Game Optimizer & Dashboard  
 Multi View  
 Q Card (Music/Game/Home Office/Sports Portal)  
 Hands-free Voice Control  
 Always Ready\*  
 LG Channels\*  
 Magic Remote



## OLED B5

Size: 77, 65, 55

### PICTURE

Self-lighting OLED  
 a8 AI Processor Gen2  
 a8 AI Picture Pro  
 Perfect Black / Perfect Color  
 100% Color Fidelity & Volume  
 Reflection & Discomfort Glare Free  
 Low Blue Light / Flicker Free  
 Personalized Picture Wizard  
 AI Genre Selection  
 AI Brightness Control  
 a8 AI Super Upscaling 4K  
 OLED Dynamic Tone Mapping Pro  
 Dolby Vision / HDR10 / HLG / FILMMAKER MODETM  
 G-SYNC / AMD FreeSync Premium / VRR 120Hz / ALLM /  
 QMS / HGiG  
 HDMI 2.1  
 Wi-Fi 6\*

### SOUND

Personalized Sound Wizard  
 2.0 Ch. / 20W  
 Dolby Atmos  
 a8 AI Sound Pro  
 Bluetooth Surround Ready\*  
 AI Acoustic Tuning\*  
 WISA Ready\*  
 Clear Voice Pro  
 Sound Mode Share  
 WOW Orchestra  
 e-ARC (HDMI 2)

### AI & SMART

webOS 25  
 Home Hub (LG ThinQ / Google Home)  
 AI Chatbot  
 Voice ID  
 Amazon Alexa\* & Alexa lite\* (Built in)  
 Apple Airplay\* & Home\* (Works with)  
 Google Cast\*  
 Intelligent Voice Recognition\*  
 Game Optimizer & Dashboard  
 Multi View  
 Q Card (Music/Game/Home Office/Sports Portal)  
 Always Ready\*  
 LG Channels\*  
 Magic Remote

**100" BOLD & BIGGER**



**LG QNED evo AI**

**Mini LED**



**Life's Good.**





## QNED86A

Size: 100, 86, 75

### PICTURE

QNED evo  
a8 AI Processor Gen2  
a8 AI Picture Pro  
Dynamic QNED Color  
100% Color Volume  
Personalized Picture Wizard  
AI Genre Selection  
AI Brightness Control  
8 AI Super Upscaling 4K  
Dynamic Tone Mapping Pro  
Precision Dimming  
Dolby Vision / HDR10 / HLG / FILMMAKER MODE™  
AMD FreeSync Premium / VRR 144Hz / ALLM / QMS / HGIG  
HDMI 2.1  
WiFi 6\*

### SOUND

Personalized Sound Wizard  
2.2 Ch. / 40W  
Dolby Atmos  
a8 AI Sound Pro  
Bluetooth Surround Ready\*  
AI Acoustic Tuning\*  
WiSA Ready  
Clear Voice Pro  
Sound Mode Share  
WOW Orchestra  
e-ARC (HDMI 3)

### AI & SMART

webOS 25  
Home Hub (LG ThinQ / Google Home)  
AI Chatbot  
Voice ID  
Amazon Alexa\* & Alexa lite\* (Built in)  
Apple Airplay\* & Home\* (Works with)  
Google Cast\*  
Intelligent Voice Recognition\*  
Game Optimizer & Dashboard  
Multi View  
Q Card (Music/Game/Home Office/Sports Portal)  
Always Ready\*  
LG Channels\*  
Magic Remote



## QNED80A

Size: 86, 75, 65, 55

### PICTURE

4K QNED  
a7 AI Processor Gen8  
Dynamic QNED Color  
100% Color Volume  
Personalized Picture Wizard  
AI Brightness Control  
4K Super Upscaling  
Dynamic Tone Mapping  
Local Dimming  
HDMI 2.0  
HDMI 2.1  
HDR10 / HLG / FILMMAKER MODE™  
VRR 60Hz / ALLM / HGIG  
WiFi 5

### SOUND

Personalized Sound Wizard  
2.0 Ch. / 20W  
AI Sound Pro  
Bluetooth Surround Ready\*  
AI Acoustic Tuning\*  
WiSA Ready\*  
Clear Voice Pro  
Sound Mode Share  
WOW Orchestra  
e-ARC (HDMI 2)

### AI & SMART

webOS 25  
Home Hub (LG ThinQ / Google Home)  
AI Chatbot  
Voice ID  
Amazon Alexa\* & Alexa lite\* (Built in)  
Apple Airplay\* & Home\* (Works with)  
Google Cast\*  
Intelligent Voice Recognition  
Game Optimizer & Dashboard  
Multi View  
Q Card (Music/Game/Home Office/Sports Portal)  
LG Channels\*  
Magic Remote



# NANO80A

Size: 86, 75

## PICTURE

4K NanoCell  
α7 AI Processor Gen8  
Nano Color  
Personalized Picture Wizard  
AI Brightness Control  
4K Super Upscaling  
Dynamic Tone Mapping  
HDR10 / HLG / FILMMAKER MODETM  
VRR 60Hz / ALLM / HGIG  
HDMI 2.0  
WiFi 5

## SOUND

Personalized Sound Wizard  
2.0 Ch. / 20W  
AI Sound Pro  
Bluetooth Surround Ready\*  
AI Acoustic Tuning\*  
WiSA Ready\*  
Clear Voice Pro  
Sound Mode Share  
WOW Orchestra  
e-ARC (HDMI 2)

## AI & SMART

webOS 25  
Home Hub (LG ThinQ / Google Home)  
AI Chatbot  
Voice ID  
Amazon Alexa\* & Alexa lite\* (Built in)  
Apple Airplay\* & Home\* (Works with)  
Google Cast\*  
Intelligent Voice Recognition  
Game Optimizer & Dashboard  
Multi View  
Q Card (Music/Game/Home Office/Sports Portal)  
LG Channels\*  
Magic Remote



# QNED70A

Size: 86, 75, 65, 55

## PICTURE

4K QNED  
α7 AI Processor Gen8  
Dynamic QNED Color  
100% Color Volume  
Personalized Picture Wizard  
AI Brightness Control (86/75" only)  
4K Super Upscaling  
Dynamic Tone Mapping  
HDR10 / HLG / FILMMAKER MODETM  
VRR 60Hz / ALLM / HGIG  
HDMI 2.0  
WiFi 5

## SOUND

Personalized Sound Wizard  
2.0 Ch. / 20W  
AI Sound Pro  
Bluetooth Surround Ready\*  
AI Acoustic Tuning\*  
WiSA Ready\*  
Clear Voice Pro  
Sound Mode Share  
WOW Orchestra  
e-ARC (HDMI 2)

## AI & SMART

webOS 25  
Home Hub (LG ThinQ / Google Home)  
AI Chatbot  
Voice ID  
Amazon Alexa\* & Alexa lite\* (Built in)  
Apple Airplay\* & Home\* (Works with)  
Google Cast\*  
Intelligent Voice Recognition\*  
Game Optimizer & Dashboard  
Multi View  
Q Card (Music/Game/Home Office/Sports Portal)  
LG Channels\*  
Magic Remote



## UA85

Size: 75, 65, 60, 55

### PICTURE

4K UHD  
 a7 AI Processor Gen8  
 Personalized Picture Wizard  
 4K Super Upscaling  
 Dynamic Tone Mapping  
 HDR10 / HLG / FILMMAKER MODE™  
 VRR 60Hz / ALLM / HGIG  
 HDMI 2.0  
 WiFi 5

### SOUND

Personalized Sound Wizard  
 2.0 Ch. / 20W  
 AI Sound Pro  
 Bluetooth Surround Ready\*  
 AI Acoustic Tuning\*  
 WiSA Ready\*  
 Clear Voice Pro  
 Sound Mode Share  
 WOW Orchestra  
 e-ARC (HDMI 2)

### AI & SMART

webOS 25  
 Home Hub (LG ThinQ / Google Home)  
 AI Chatbot  
 Voice ID  
 Amazon Alexa\* & Alexa lite\* (Built in)  
 Apple Airplay\* & Home\* (Works with)  
 Google Cast\*  
 Intelligent Voice Recognition\*  
 Game Optimizer & Dashboard  
 Multi View  
 Q Card (Music/Game/Home Office/Sports Portal)  
 LG Channels\*  
 Magic Remote



## UA80

Size: 65, 55, 50, 43

### PICTURE

4K UHD  
 a7 AI Processor Gen8  
 Personalized Picture Wizard  
 4K Super Upscaling  
 Dynamic Tone Mapping  
 HDR10 / HLG / FILMMAKER MODE™  
 VRR 60Hz / ALLM / HGIG  
 HDMI 2.0  
 WiFi 5

### SOUND

Personalized Sound Wizard  
 2.0 Ch. / 20W  
 AI Sound Pro  
 Bluetooth Surround Ready\*  
 AI Acoustic Tuning\*  
 WiSA Ready\*  
 Clear Voice Pro  
 Sound Mode Share  
 WOW Orchestra  
 e-ARC (HDMI 2)

### AI & SMART

webOS 25  
 Home Hub (LG ThinQ / Google Home)  
 AI Chatbot  
 Voice ID  
 Amazon Alexa\* & Alexa lite\* (Built in)  
 Apple Airplay\* & Home\* (Works with)  
 Google Cast\*  
 Intelligent Voice Recognition\*  
 Game Optimizer & Dashboard  
 Multi View  
 Q Card (Music/Game/Home Office/Sports Portal)  
 Magic Remote\*  
 LG Channels\*

\*Function availability dependent on region support



## Home Theater Soundbars



### S95TR

9.1.5ch|810W

Dolby Atmos, DTS:X  
AI Sound Pro  
Triple Level Spatial Sound  
WOW Cast  
Wow Orchestra  
WOW Interface

AI Room Callibration  
HDMI (eARC), Wi-Fi, BT, USB, Optical  
4K Pass through VRR/ALLM/120Hz  
Works with Google Asst, Alexa,  
Spotify/Tidal, Apple Airplay



### S65TR

5.1ch|600W

Dolby Digital,  
DTS Digital Surround  
AI Sound Pro  
Wow Orchestra  
WOW Interface

HDMI (ARC),  
Bluetooth  
USB  
Optical



### S45TR

4.1ch|400W

Dolby Digital  
DTS Digital Surround  
AI Sound Pro  
Wow Orchestra  
WOW Interface

HDMI (ARC),  
Bluetooth  
USB  
Optical



## Soundbars

### S90TY

5.1.3 ch / 570W

Dolby Atmos, DTS:X  
AI Sound Pro  
Triple Level Spatial Sound  
WOW Cast  
Wow Orchestra  
WOW Interface

AI Room Calibration  
HDMI (eARC), Wi-Fi, BT, USB, Optical  
4K Pass through VRR/ALLM/120Hz  
Works with Google Asst, Alexa,  
Spotify/Tidal, Apple Airplay

### S70TY

3.1.1 ch / 400W

Dolby Atmos, DTS:X  
AI Sound Pro  
Wow Orchestra  
WOW Interface

HDMI (eARC), BT, USB, Optical  
4K Pass through VRR/ALLM/120Hz

### SH5A

4.1ch / 600W

Dolby Atmos  
DTS Digital Surround  
AI Sound Pro  
Wow Orchestra  
WOW Interface

HDMI (ARC),  
Bluetooth  
USB  
Optical

### S40T

2.1Ch / 300W

Dolby Atmos  
DTS Digital Surround  
AI Sound Pro  
Wow Orchestra  
WOW Interface

HDMI (ARC),  
Bluetooth  
USB  
Optical

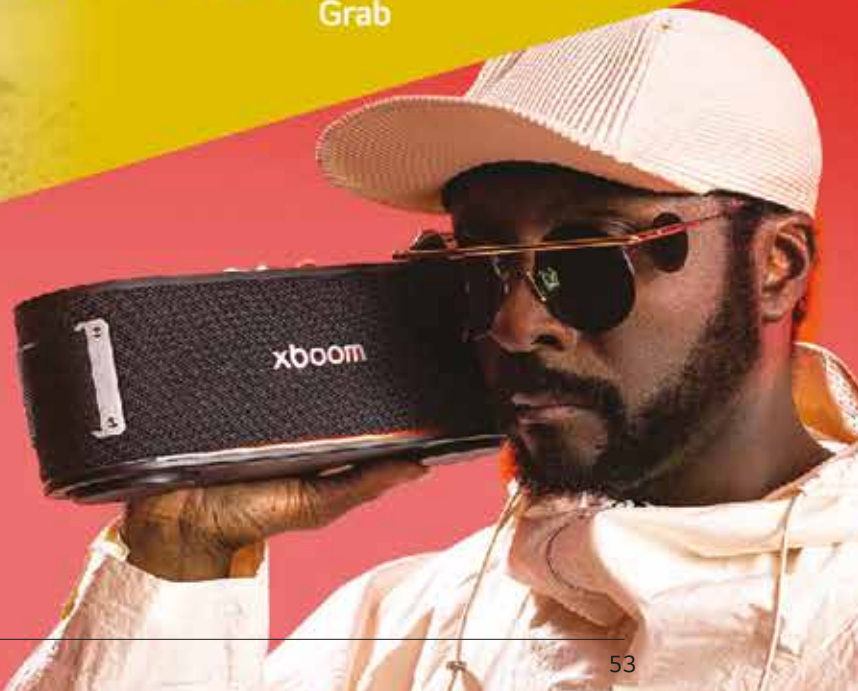


xboom by will.i.am

**LG xboom**  
Stage 301



**LG xboom**  
Grab



**LG xboom**  
Bounce



### Stage301

Xboom signature sound tune by will.i.am

- Karaoke and DJ Function
- 120W sound out
- 1 Big 6.5 Inches subwoofer, 2.5 mid speaker
- Bluetooth, USB
- IPX4 Splash resistance
- 12 Hours Battery life



### Bounce

xboom signature sound tune by will.i.am  
30 Hrs Battery | 40 Watts

- 30W sub woofer, 10W twitter
- Sound Boost
- IP67 Water & Dust resistance
- AI Lighting
- Adjustable Strap



### Grab

xboom signature sound tune by will.i.am  
20 Hrs Battery | 30 Watts

- 20W sub woofer, 10W twitter
- Sound Boost
- IP67 Water & Dust resistance
- AI Lighting
- Adjustable Strap

## Party Speakers



### XL7S 2.1ch|250W

- 20 Hrs Battery life
- Dynamic Pixel lighting
- Multi color speaker lighting
- 8" Sub Woofer
- 2.5" Tweeter x2
- IPX4 Water & Dust resistance
- Telescopic handle and Wheel
- Wireless Paty Link (Upto 10)
- Bluetooth
- Mic In
- USB



### XL5S 2.1ch|200W

- 12 Hrs Battery life
- Multi color speaker lighting
- 6.5" Sub Woofer
- 2.5" Tweeter x2
- IPX4 Water & Dust resistance
- Handle
- Wireless Paty Link (Upto 10)
- Bluetooth
- Mic In
- USB

## DVD Home Theater



### LHD657

5.1 Ch | 1000W

4 Tall Boy Speakers  
Front Firing Sub Woofer  
Bluetooth, USB, FM Radio  
Optical In, AUX In, HDMI Out



### LHD647

5.1 Ch | 1000W

2 Tall + 2 Satellite Boy Speakers  
Front Firing Sub Woofer  
Bluetooth, USB, FM Radio  
Optical In, AUX In, HDMI Out



### LHD627

5.1 Ch | 1000W

4 Satellite Boy Speakers  
Front Firing Sub Woofer  
Bluetooth, USB, FM Radio  
Optical In, AUX In, HDMI Out



### MR11

4.2ch|2300W

12" Subwoofer x2  
Dolby Vision & Dolby Audio  
Mood Lighting  
Bluetooth, USB, FM Radio  
Optical In, AUX In, HDMI In /Out

## Power Hi-Fi Audio Systems



### CL88

2.1ch|2900W

Multi Color Lighting  
Auto DJ, DJ Effects, Party Thruster  
Karaoke Star  
Bluetooth, USB, FM Radio  
Optical In, AUX In, HDMI Out



### CL65

2.2ch|950W

Party Lighting  
Auto DJ, DJ Effects, Party Thruster  
Karaoke Star  
Bluetooth, USB, FM Radio  
Optical In, AUX In, HDMI Out



### CJ44

2.1ch|720W

Multi Color Lighting  
Auto DJ, DJ Effects, Party Thruster  
Karaoke Star, 2Mic in, Vocal Effects  
Bluetooth, USB, FM Radio  
Optical In, AUX In, HDMI Out



Exclusive World of

# RESIDENTIAL AIR CONDITIONERS (RAC)



# ARTCOOL



### Energy Saving

Gen Mode+  
Dual Inverter

### Durability

10 yr Warranty for Compressor/Goldfin

### Cooling

Faster Cooling  
Quiet Cooling

### Convenience

Quick & Easy Install  
Comfort Sleep  
Smart Display  
Smart Diagnosis  
VoltCare  
Plasma Ionizer  
4 Way Swing  
ThinQ

### Cooling only

S4-Q12JARTB  
S4-Q18KL RTE  
S4-Q24K2RTD

# DUALCOOL M



### Energy Efficiency

Dual Inverter  
Gen Mode+

### Durability

10 yr Warranty for Compressor/Goldfin

### Cooling

Faster Cooling  
Quiet Cooling

### Healthcare

Mosquito Away

### Convenience

AutoCleaning  
Silent Mode  
Quick & Easy Install  
Comfort Sleep  
Smart Display  
ThinQ  
VoltCare

### Cooling only

S4-Q09AA28B  
S4-Q12 JA28J  
S4-Q18KL28E  
S4-Q24K228E

# DUALCOOL STANDARD



### Energy Efficiency

Dual Inverter  
Gen Mode+

### Durability

10 yr Warranty for Compressor/ Goldfin

### Cooling

Faster Cooling  
Quiet Cooling

### Healthcare

Pre-Filter

### Convenience

AutoCleaning  
Silent Mode  
Quick & Easy Install  
Comfort Sleep  
Smart Display  
VoltCare

### Cooling Only

S4-Q09AA3QA  
S4-Q12JA3QB  
S4-Q18KL3QE  
S4-Q24K23QE

# DUALCOOL



### Energy Efficiency

Dual Inverter  
Gen Mode+

### Durability

10 yr Warranty for Compressor/Goldfin

### Cooling & Heating

Faster Cooling  
Faster Heating

### Healthcare

Pre-Filter

### Convenience

AutoCleaning  
Silent Mode  
Quick & Easy Install  
Comfort Sleep  
Smart Display  
VoltCare

### Cooling / Heating

M11AAH  
M13AJH  
M19AKH  
M24AKH

## DUALCOOL WINNER



### Energy Efficiency

Gen Mode+  
Dual Inverter

### Durability

10 yr Warranty for Compressor

### Cooling

Faster Cooling  
Quiet Cooling

### Convenience

AutoCleaning  
Silent Mode  
Quick & Easy Install  
Comfort Sleep  
Smart Display  
VoltCare  
ThinQ

### Cooling only

S4-Q09WA3L  
S4-Q12JAQ3L  
S4-Q18JLQ3L  
S4-Q24K2Q3L

## JETCOOL PLUS



### Durability

Goldfin

### Cooling

JetCool

### Convenience

Sleep Mode  
Smart Operation  
PreFilter  
AutoClean  
4 Way Swing

### Cooling only

H12TN4  
H18TN4

## JETCOOL



### Durability

Goldfin

### Cooling

JetCool  
Quiet Cooling

### Convenience

Sleep Mode  
Pre Filter  
AutoClean  
2 Way Swing  
Goldfin

### Cooling only

S09ATC  
S12ATC  
S18ATC  
S24ATC

## JETCOOL



### Durability

Goldfin

### Cooling & Heating

JetCool  
Quiet Cooling  
Convenience  
Sleep Mode  
Smart Operation  
Pre Filter  
AutoClean  
2 Way Swing

### Cooling / Heating

T09SDH  
T12SDH  
T18SDH  
T24SDH



# AIRTOWER

Cooling only

F4-Q25N2XAO

## Energy Efficiency

Dual Inverter

## Durability

10 yr Warranty for Compressor/Gold fin

## Cooling

Fast Cooling

Quiet Cooling

## Healthcare

Pre-Filter

## Convenience

ThinQ

AutoCleaning

Silent Mode

Quic & Easy Install

Comfort Sleep

Smart Display

Smart Diagnosis

# LG SERVICE

## SUPPORT MADE SIMPLE

Beyond great products, LG provides dependable service that supports you every step of the way. From setup to after-sales assistance, we're committed to keeping your experience smooth and stress-free.

### 01. Installation Support

Our professional installation service ensures your LG appliances are properly and safely set up from day one, giving you peace of mind right from the start.

### 02. Customer Careline & Technical Support

We offer clear guidance, helpful troubleshooting, and real-time answers to your queries, minimizing downtime and confusion.

Visit [www.lg.com/eastafrica/support](http://www.lg.com/eastafrica/support)

### 03. Warranty & Repairs

All LG products come with a manufacturer's warranty. In case of any issues, our authorized service centers offer genuine parts and expert repairs to restore your device to peak condition.

### 04. Smart Diagnosis™

With Smart Diagnosis™, LG appliances can communicate directly with our customer support systems to instantly relay issues.

### 05. Home Visit & On-Site Service

For products that require hands-on servicing, our technicians offer prompt and professional on-site support, reducing the need to haul heavy items and ensuring quicker resolutions.

### 06. Remote Assistance (via ThinQ App)

Through the LG ThinQ app, users can monitor appliance performance, receive maintenance tips, and even access remote diagnostics anytime, anywhere.

### 07. Installation Support

Get access to genuine LG spare parts and accessories, ensuring compatibility, quality, and performance.



More Information :

[HTTPS://WWW.LG.COM/EASTAFRICA](https://www.lg.com/eastafrica)





---

THE ART  
OF GOOD LIFE,  
THE HEART  
OF FINE LIVING.

# Life's Good.



More Information :  
[HTTPS://WWW.LG.COM/EASTAFRICA](https://www.lg.com/eastafrika)

---